

● Statement

WPB wireless Push Button units which can be applied to distant access control. WPB series is not only convenient for people who do not work in the same location constantly that are able to unlock the door from distance, but also a best choice for the locations which are difficult to set necessity cables.



WPB-900



WPB-025JS

● Specifications

Remote Transmitter

1. Power: 12V battery
2. 433 KHz transmitting frequency
3. LED indicator: Judge the volume of dry battery at 12V by LED's brightness.
4. Transmitting distance for the antenna: Max. 50 ~ 60 M
5. Embedded modules: Hopping Code IC
6. The Lowest voltage: Not under 6.28V for the battery of remote transmitter

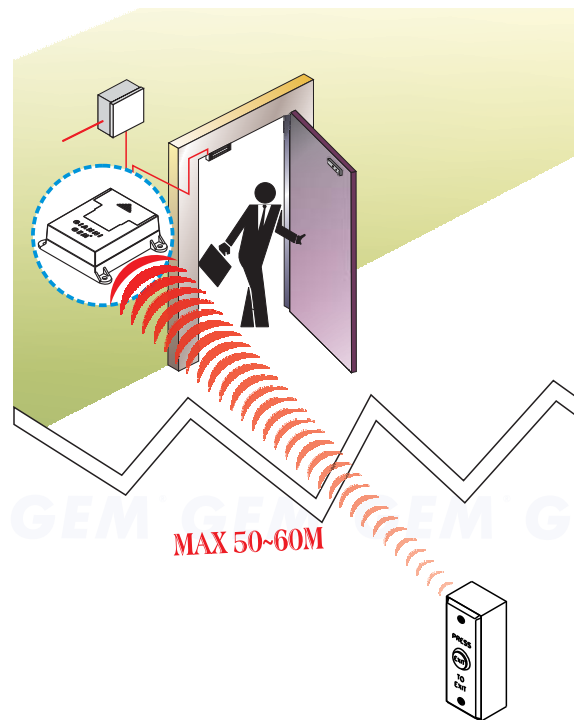
RF Hopping Code Controller

1. Power: DC12~24V
2. Output contact: SPDT rated 3A@12V DC dry contact
3. Buzzer indicator: The receiver will alarm from the internal buzzer as a signal of low-battery which is under DC9.2V.
4. LED indicator:
 - Green LED: Power
 - Red LED: Receive & input
5. Timer setting: 1, 3, 5, 10 seconds
6. The quantity of saving remote transmitter: 6 pcs

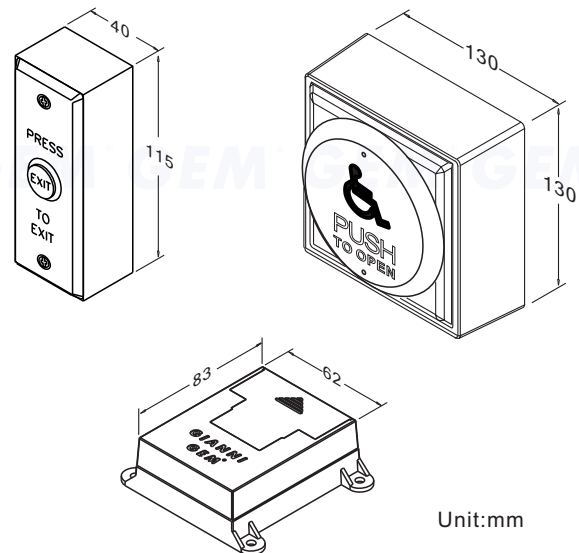


Remote Transmitter

● Application



● Dimension



Unit:mm

● Warranty

The product is warranted against defects in material and workmanship while used in normal service for a period of 1 year from the date of sale to the original customer. The GEM policy is one of continual development and improvement; therefore GEM reserves the right to change specifications without notice.



GIANNI INDUSTRIES, INC.